

Bushing Data:

Rated Voltage	550	kV
Phase to-earth Voltage	318	kV
Dry Lightning Impulse I, 2/50µs	1800	kV
Wet Switching Impulse	1360	kV
Wet Power frequency AC	850	kV
Routine test I min dry 50Hz	800	kV
Rated Current	2500	A
Creepage Distance	15060	mm
Mass	1850	kg

Ordering Data:

BUSHING
 LF121076 -C / -AC COLOUR AIR INSULATOR
 BROWN / LIGHT GREY

OUTER TERMINAL

LF170 073-A	Al	H2 (mm)	D2 (mm)
LF170 073-B	Cu	125	60
LF170 073-G	Cu/Ag	125	60
LF170 073-H	Cu/Ag	125	60

OTHER TYPES ON REQUEST

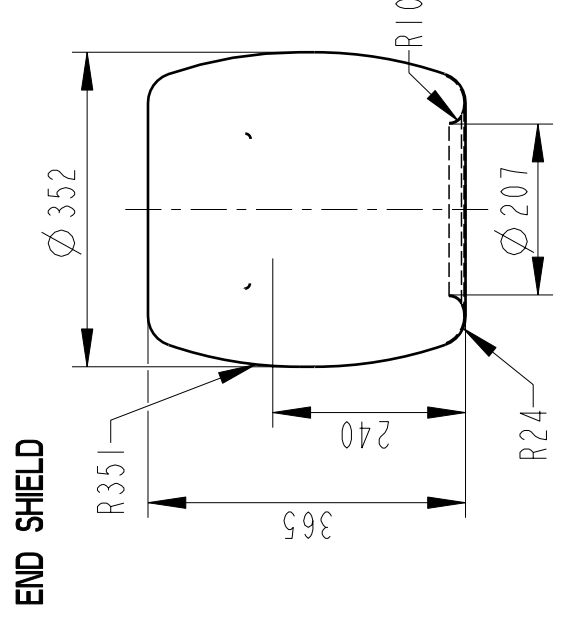
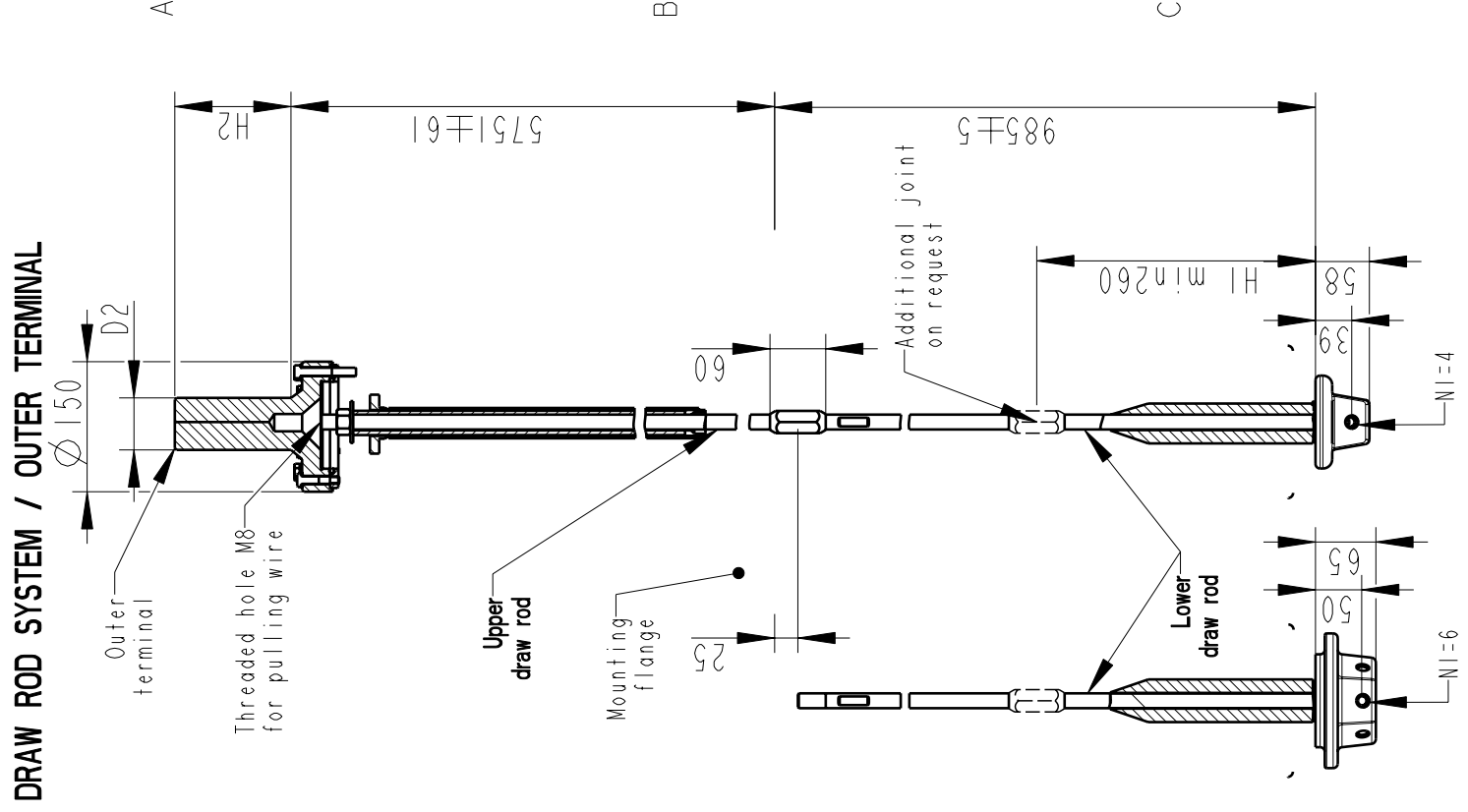
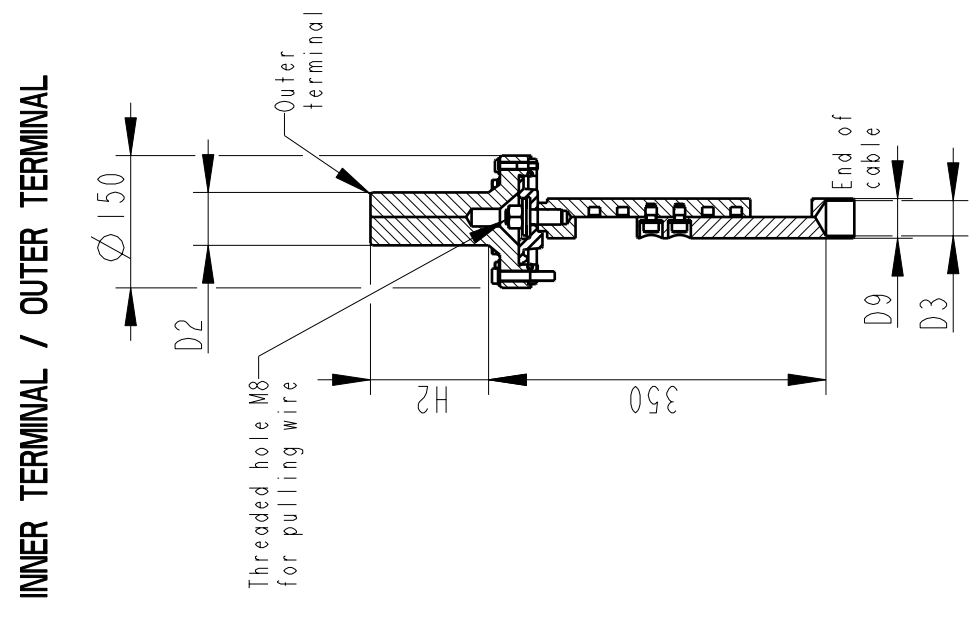
END-SHIELD
 LF170 046-V EPOXY INSULATED
 LF170 046-VP INSULATED WITH 3 mm PRESSBOARD

DRAW ROD SYSTEM
 LF170 059 LOWER DRAW ROD WITH NI=4 OR NI=6
 LF170 057 UPPER DRAW ROD

INNER TERMINAL

D3 (mm)	D9 (mm)	Cond.area (mm ²)	Current (A)	IEEC
LF170 056-E	45	45	-	-
LF170 056-D	40	45	600	1600
LF170 056-C	40	45	600	1360

*) WITH PILOT HOLE D=5



NI=Number of holes M12, equipped with thread insert with screw lock, depth 20, for cable lugs.

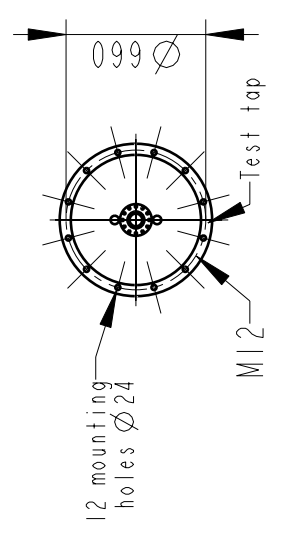
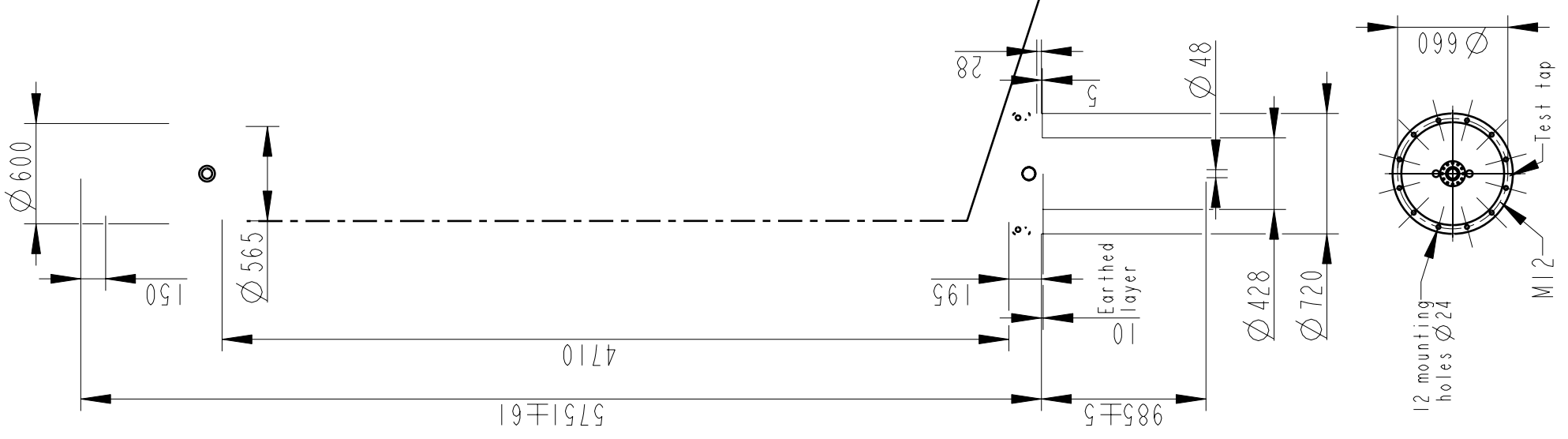


ABB Components Lutha, Sweden

No.	kV	Hz	A	50/60	Hz
kg	SI	kV	AC	kV	kV
mm	L	mm	D		
pf	tanδ				
pf	tanδ				

Based on	Reg. No.	Title
Prepared	Responsible department	GOE-1800-1360-2500-0
Lövnord	COM/BK 0025	
Approved	Take over department	
Johansson	Database	
Design engineering review		
Gutman		
ABB ABB Components		Document No. 2751369-103